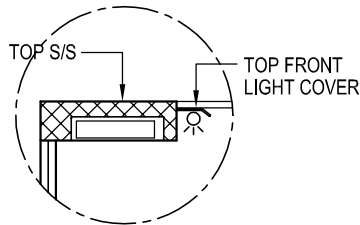
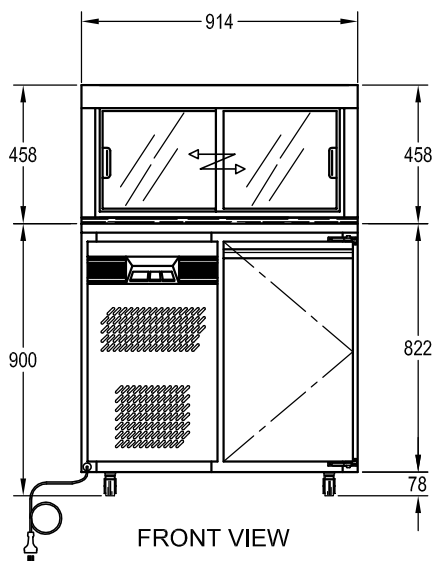
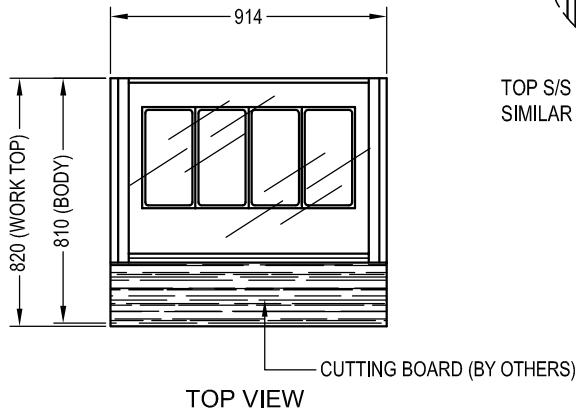
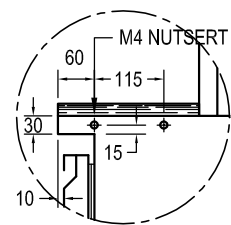


Optional

- Cutting board
- Crumb tray with S/S wire shelf

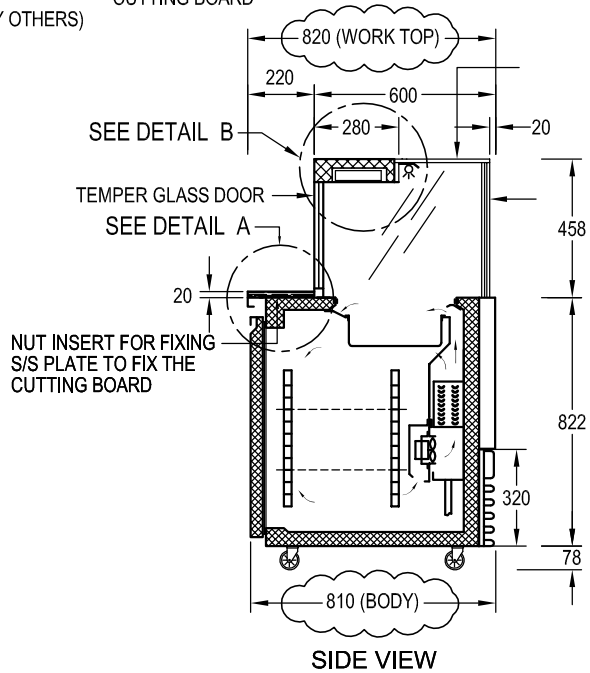
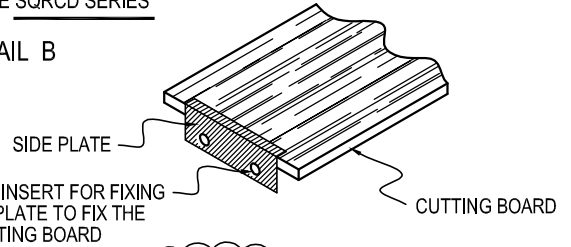


TOP S/S & TOP FRONT LIGHT COVER
SIMILAR PROFILE SQRCD SERIES



DETAIL A

DETAIL B



SIDE VIEW

TECHNICAL DATA		Refrigerator model
a) MODEL NUMBER		SQSM 914 - L
b) DIMENSION L x D x H (Cm.)		91.4 x (82+81) x 135.8
c) TEMPERATURE RANGE	NOTE : - WORK TOP DEPTH TO 820 mm. - BODY DEPTH TO 810 mm. - FRONT & SIDE DOUBLE GLASS - SINGLE PANE (TOP) 12 mm.t - TEMPER GLASS (DOOR) 6 mm.t	2 °C to 5 °C
d) REFRIGERANT		R-404a
e) COOLING CAPACITY (Btu.)		3412
f) CONDENSING UNIT (Hp.)		1/2
g) WIRE SHELVES		2 pieces
h) PAN (100 mm. Depth)		4 GN 1/3
i) POWER SUPPLY		220V - 50Hz - 1Ph

Note : 2 pans on top of the compressor section can be used to store moderate chilled product.

Sandwich preparation counter

WELBILT Manufacturing(Thailand)Ltd.		UNLESS OTHERWISE NOTED		PROJECT:	STODDART	P/O NO.
		DESIGN DIMENSIONS ARE IN mm.		PRODUCT:	AS ABOVE SPECIFIED	QTY.
SCALE	NTS.	DWG. NO.	PAGE NO. 1 OF 1	JOB NO.	ITEM:	DATE: 12/10/06
SA1:	SA2:	MN1:	MN2:	DRAWN: PS	CHECKED: PS	REVISION: F
					FM/PP:	APPROVED: