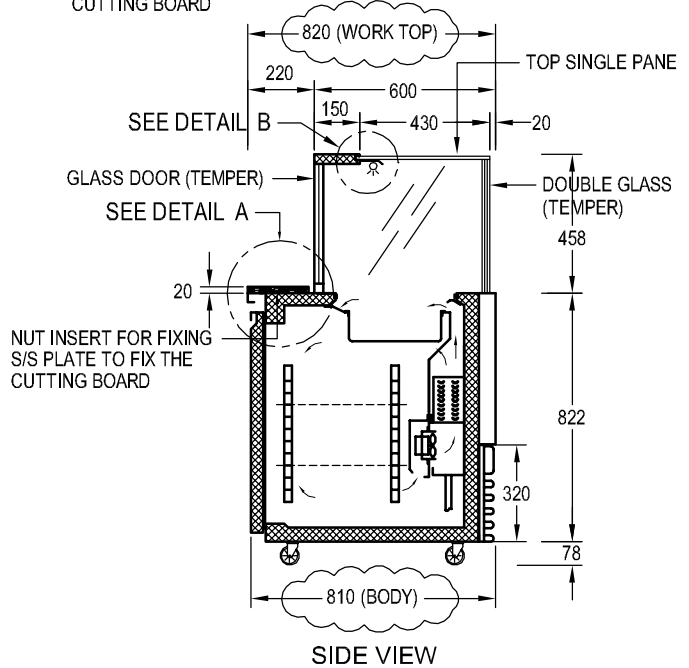
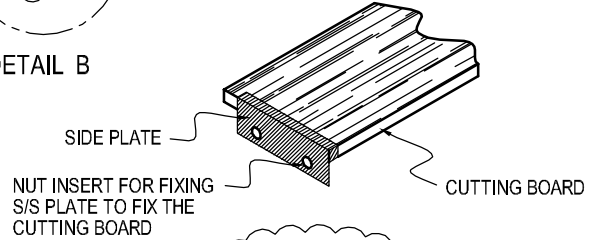
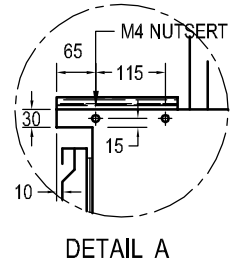
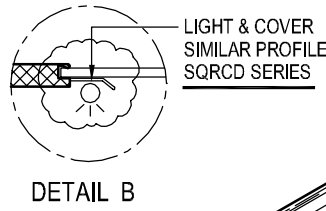


Optional

- Cutting board
- Crumb tray with S/S wire shelf



TECHNICAL DATA		Refrigerator model	
a) MODEL NUMBER		SQSM 1330 - L	
b) DIMENSION L x D x H (Cm.)		133 x (82+81) x 135.8	
c) TEMPERATURE RANGE	NOTE : - WORK TOP DEPTH TO 820 mm. - BODY DEPTH TO 810 mm. - FRONT & SIDE DOUBLE GLASS (TEMPER) - SINGLE PANE (TOP) 12 mm.t - GLASS DOOR 6 mm.t (TEMPER)	2 °C to 5 °C	<p>TO SUIT THE SHELVING SIZE 330 x 425 mm.</p>
d) REFRIGERANT		R-404a	
e) COOLING CAPACITY (Btu.)		1750	
f) CONDENSING UNIT (Hp.)		1/6	
g) WIRE SHELVES		4 pieces	
h) PAN (100 mm. Depth)		7 GN 1/3	
i) POWER SUPPLY		220V - 50Hz - 1Ph	

Sandwich preparation counter

rev.H

WELBILT Manufacturing(Thailand)Ltd.		UNLESS OTHERWISE NOTED		PROJECT: STODDART		P/O NO.	
DESIGN DIMENSIONS ARE IN mm.				PRODUCT: AS ABOVE SPECIFIED		QTY.	
				JOB NO.		DATE: 08/04/08	
				ITEM:		REVISION: H	
SCALE NTS.	DWG. NO. SQSM 1330 - L	PAGE NO. 1 OF 1	DRAWN: PS	CHECKED: PS	APPROVED:		
SA1:	SA2:	MN1:	MN2:	FM/PD:	AA:		