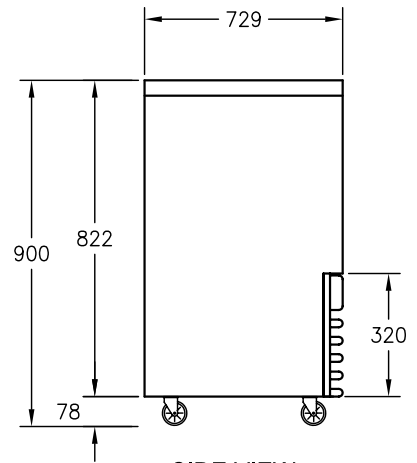
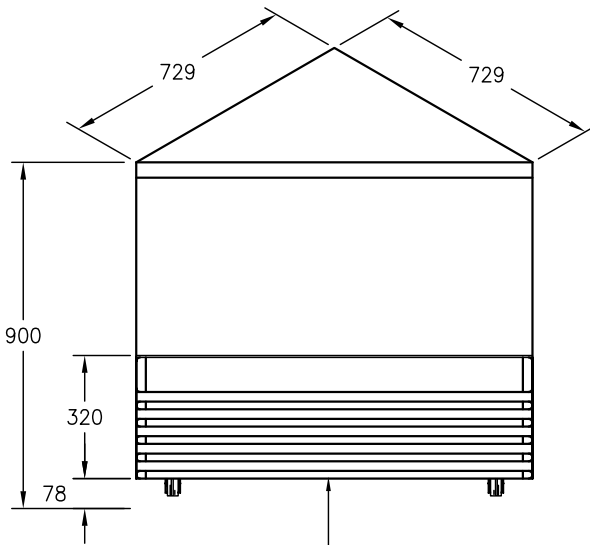
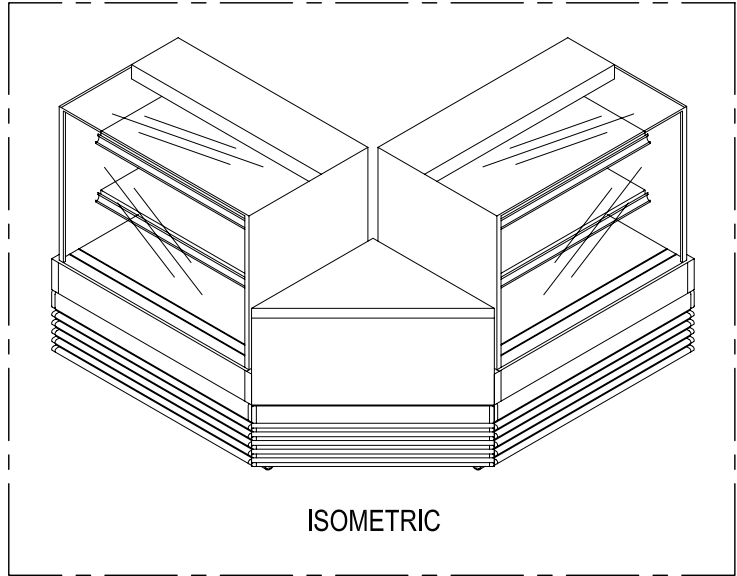


PLAN



SIDE VIEW

— SIMILAR PROFILE AS SQPCD SERIES

GENERAL SPECIFICATION

- S/S 16 gauge top and body
- 78 mm. high swivel casters

Model (SQFC-CNR)

WELBILT Manufacturing(Thailand)Ltd.		UNLESS OTHERWISE NOTED		PROJECT: STODDART		P/O NO.
		DESIGN DIMENSIONS ARE IN mm.		PRODUCT: FRONT COUNTER MODULE CORNER		QTY.
SCALE	NTS.	DWG. NO.	PAGE NO. 1 OF 1	JOB NO.	ITEM:	DATE: 27/07/07
SA1:	SA2:	MN1:	MN2:	DRAWN: PS	CHECKED: PS	REVISION: B
				FM/PD:	AA:	APPROVED: