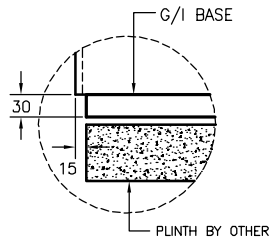
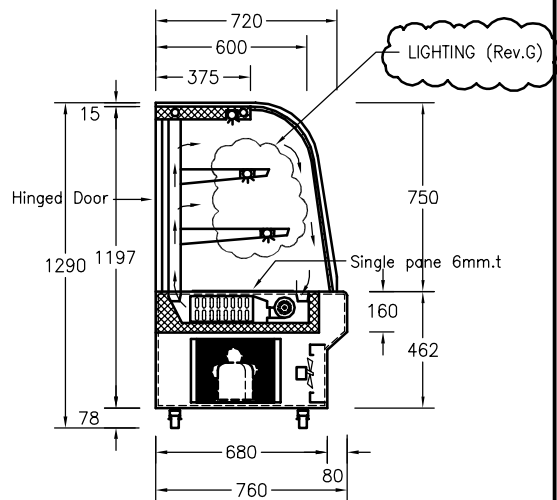


CLEAR GLASS SHELF

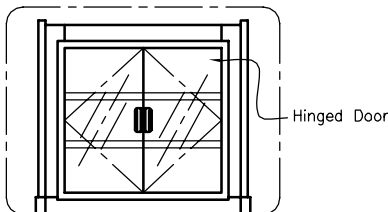
CLEAR GLASS FENCE



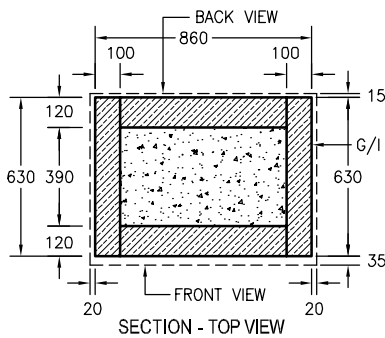
DETAIL "A"



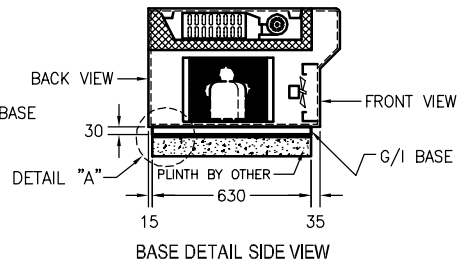
SECTION - LH VIEW



BACK VIEW



SECTION - TOP VIEW



BASE DETAIL SIDE VIEW

NOTE :
THE BASE MUST BE ABLE TO PUT INTO PLINTH WHEN WITH OUT CASTER AS PER FOLLOWING

TECHNICAL DATA		RCD-09
a)	EXTERNAL DIM. (W x D x H)	900 x 760 x 1290
b)	TEMPERATURE RANGE / CONTROLLER (s)	2 °C to 8 °C / Microprocessor temp. controller, digital display / automatic humidity controller
c)	REFRIGERANT / CONTROL DEVICE	R-404a / Capillary tube
d)	COOLING CAPACITY (Btu.)	1484
e)	COMPRESSOR (Hp.)	1/6
f)	GLASS SHELVES (Tier (s))	2
g)	INTERIOR LIGHT (W.) , [Fluo]	18Wx4
h)	VOLTAGE SUPPLY / AMPERAGE	220 V., 50 Hz., Single phase
	AMPERAGE	2.9
i)	BODY & SIDE PANELS	PUR injection : external cover sheet 19 ga.(1.0 mm.) s/s-304, 2-b finishing,(or as specified.) Internal cover sheet 22 ga. s/s 304 mirrorlike polished surface.
	BOTTOM PANEL	PUR panel : cover sheet is 22 ga. s/s-304 (0.6 mm.)
	SKELETON	Angle steel bar 1-1/2" 6mmt.
	FRONT CURVATURED GLASS	Double glazed, (non heated type)
	DOOR STRUCTURE	Double glazed, hinged type.
	FURNISHING	Door leave(s) is internally filmed with mirrorlike film faced to front.
j)	DEFROST SYSTEM	Air defrost
k)	CONDENSATE WATER VAPORIZING SYSTEM	Use waste heat from compressor
l)	OPTION	(a)Selectable furnished materials (b) colors (c) bottom glass exclude for not AUS. sales.

Cake Display Units

WELBILT		UNLESS OTHERWISE NOTED		PROJECT: STODDART (AUS)		P/O NO.	
Manufacturing(Thailand)Ltd.		DESIGN DIMENSIONS ARE IN mm.		PRODUCT: AS ABOVE SPECIFIED		QTY.	
				JOB NO.		DATE: 30/07/08	
SCALE NTS.		DWG. NO. RCD-09		DRAWN:		REVISION: I	
SA1:		SA2:		MN1:		APPROVED:	
				MN2:		AA:	
				ITEM:			
				CHECKED:			
				FM/PD:			