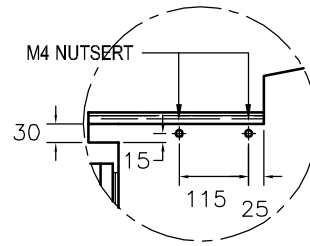
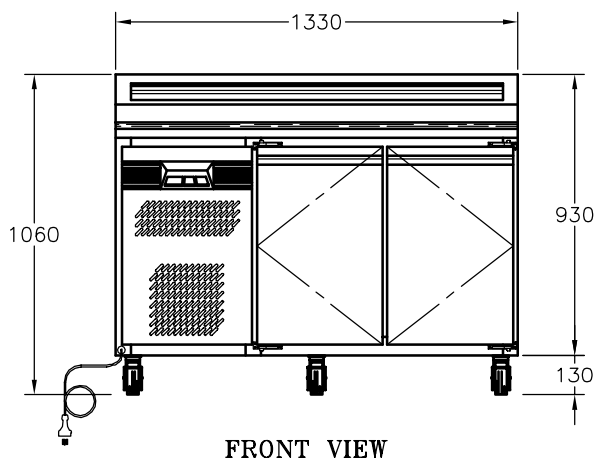


Optional extra

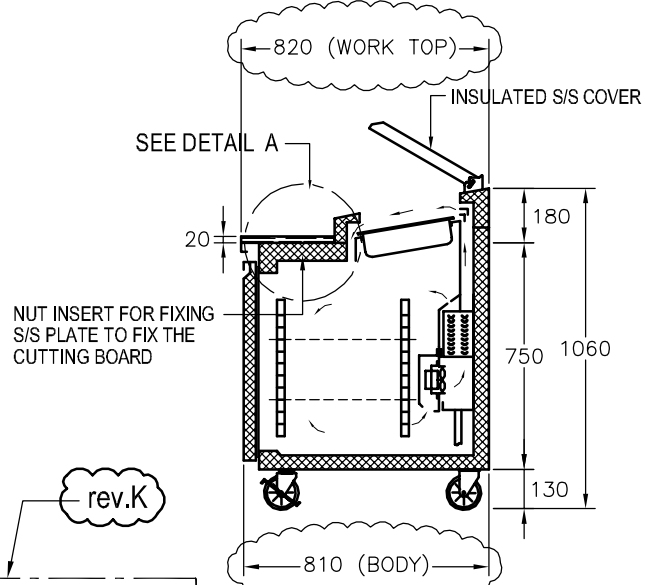
- S/S pan GN 1/3 100 mm. depth
- Cutting board 20 mm. thick



DETAIL A



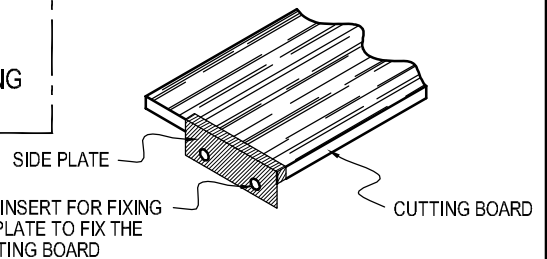
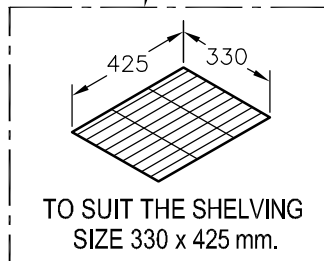
FRONT VIEW



SECTION-RH VIEW

General Specification

- S/S 16 gauge top
- S/S 20 gauge body and hinge door
- 50 mm. (2") Thick polyurethane foam insulation.
- 1/6 Hp. condensing unit.
- Microprocessor controlled with digital display
- Temperature range 2 °C to 5 °C
- 2 Pcs. adjustable PVC. coated wire shelves per door (total 4 Pcs.)
- Rubber casters
- Divider bars 6 ea.
- Add 2 conceal screw on both side of the table to cater for optional acc. fixing



NOTE :
 - WORK TOP DEPTH TO 820 mm.
 - BODY DEPTH TO 810 mm.

**Pizza make up/Sandwich preparation counter
 (Model: PM-2-1330-BW-L)**

WELBILT		UNLESS OTHERWISE NOTED		PROJECT: STODDART		P/O NO.	
Manufacturing(Thailand)Ltd.		DESIGN DIMENSIONS ARE IN mm.		PRODUCT: AS ABOVE SPECIFIED		QTY.	
				JOB NO.		DATE: 08/04/08	
SCALE NTS.		DWG. NO. PM-2-1330-BW-L		DRAWN:		REVISION: K	
SA1:		SA2:		MN1:		APPROVED:	
				MN2:		AA:	
				FM/PD:			