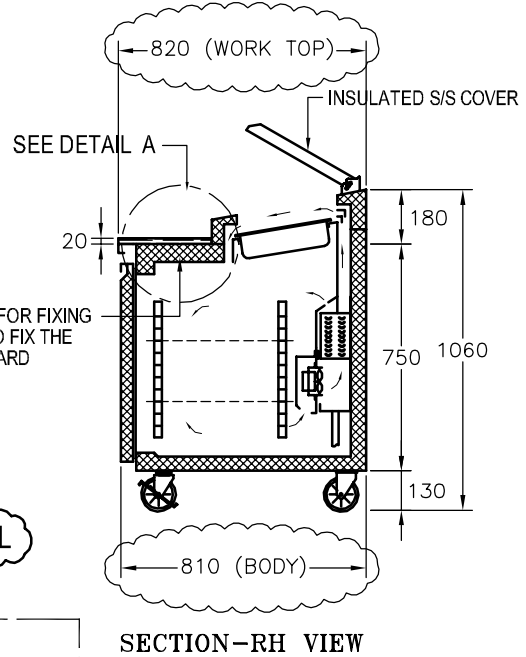
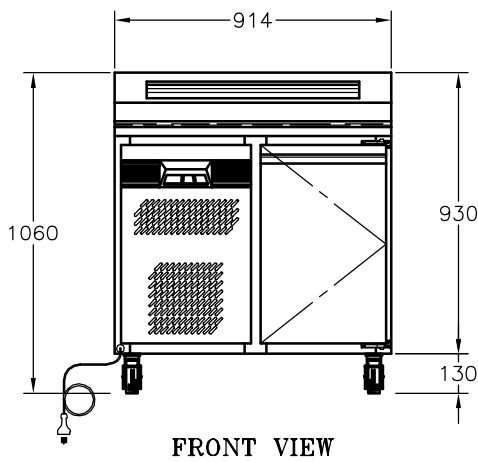
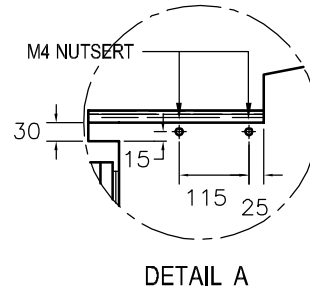
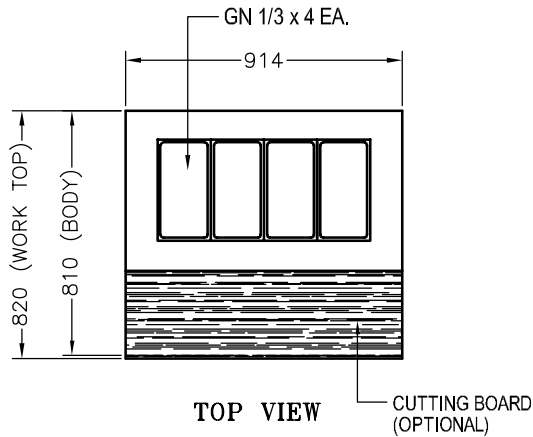


Optional extra

- S/S pan GN 1/3 100 mm. depth
- Cutting board 20 mm. thick

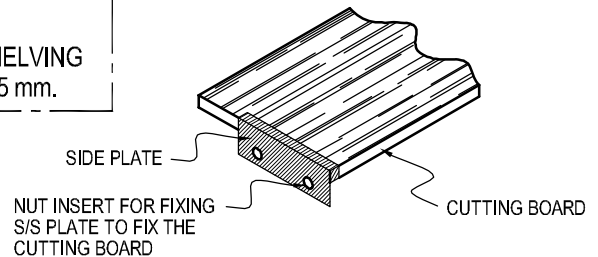
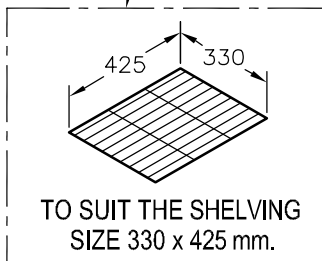


NUT INSERT FOR FIXING S/S PLATE TO FIX THE CUTTING BOARD

rev.L

General Specification

- S/S 16 gauge top
- S/S 20 gauge body and hinge door
- 50 mm. (2") Thick polyurethane foam insulation.
- 1/6 Hp. condensing unit.
- Microprocessor controlled with digital display
- Temperature range 2 °C to 5 °C
- 2 Pcs. adjustable PVC. coated wire shelves
- Rubber casters
- Divider bars 3 ea.
- Add 2 conceal screw on both side of the table to cater for optional acc. fixing



NOTE :

- WORK TOP DEPTH TO 820 mm.
- BODY DEPTH TO 810 mm.

Pizza make up/Sandwich preparation counter (Model: PM-1-914-BW-L)

WELBILT Manufacturing(Thailand)Ltd.		UNLESS OTHERWISE NOTED		PROJECT:	STODDART	P/O NO.
		DESIGN DIMENSIONS ARE IN mm.		PRODUCT:	AS ABOVE SPECIFIED	QTY.
SCALE	NTS.	DWG. NO. PM-1-914-BW-L	PAGE NO. 1 OF 1	JOB NO.	ITEM:	DATE: 08/04/08
SA1:	SA2:	MN1:	MN2:	DRAWN:	CHECKED:	REVISION: L
				FM/PD:	AA:	APPROVED: