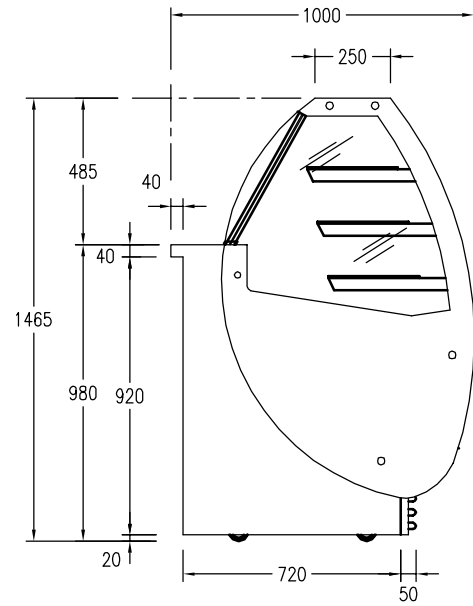
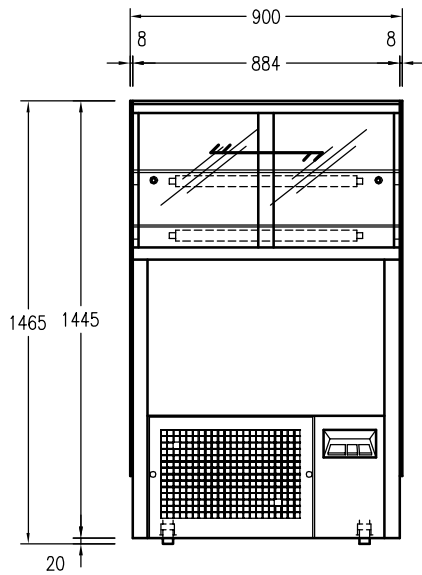


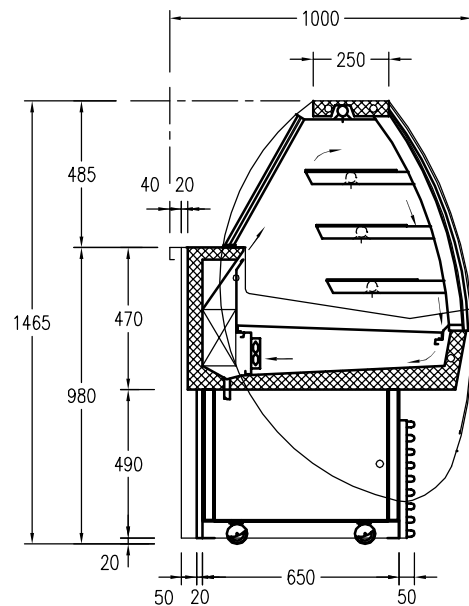
ISOMETRIC



SIDE VIEW



BACK VIEW



SECTION

GENERAL SPECIFICATON

- S/S 18 gauge top
- S/S 20 gauge body
- 50 mm.Thick polyurethane foam insulation
- 1/6 HP. condensing unit
- Compressor Model : FR6CL
- Refrigerant R-404a
- Power consumption 0.610 Kw.

- Cooling capacity : 1842.48 Btu.
- Interior light : 18w. x 4
- Temperature range 2 °C to 5 °C
- Electrical : 220V - 50Hz - 1Phase
- Digital Thermometer
- Front double glass cover

DISPLAY SHOWCASE
(Model ERD-9)

WELBILT Manufacturing(Thailand)Ltd.		UNLESS OTHERWISE NOTED		PROJECT:	STODDART	P/O NO.
		DIM.WxDxH. ±3	ANGLES ±1/2°	DESIGN DIMENSIONS ARE IN mm.		PRODUCT:
				PRODUCT:	AS ABOBE SPECIFIED	DATE: 04/05/06
				JOB NO.	ITEM:	REVISION: B
SCALE 1 : 25(A4)	DWG. NO.	PAGE NO. 1 OF 1	DRAWN:		CHECKED:	APPROVED:
SA1:	SA2:	MN1:	MN2:		FM/PD:	AA: